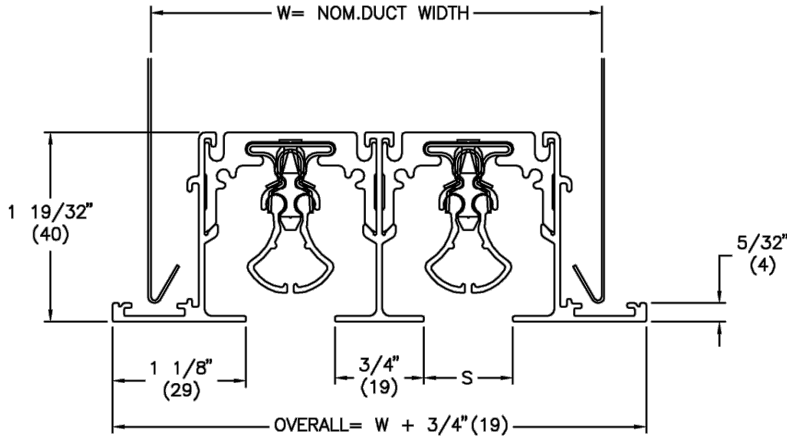


SDS100 1" Slot Linear Supply

2 – Flange Frame, Concealed Mounting

Slot Quantity	W
2	4 1/4"



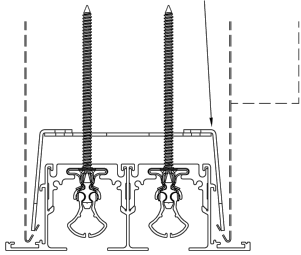
Face Overall Length = Nom. Length + 1"

Finish:

- B12: Standard White

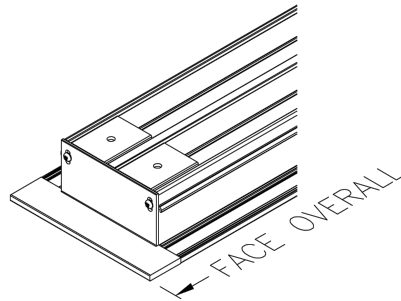
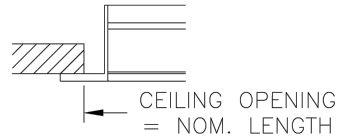
Mounting:

CONCEALED MOUNTING BRACKETS (INCLUDED)



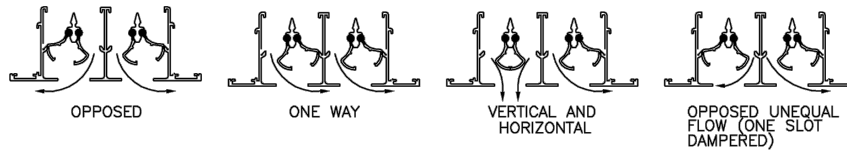
End Conditions: WW

Flanged Endcap



Notes:

- Extruded aluminum frame
- For use with Type 2 SDB/SDA series plenums, or with UP/UPL plenums
- Factory tolerance $\pm 1/32"$ (1)
- Rollformed steel or extruded aluminum pattern controllers, B17 Black
- 180° air pattern adjustment available
- Hemmed duct (by others)
- See installation instruction I100042



PROJECT:
ENGINEER:
DESCRIPTION: Linear Slot Supply, 1" Slot
SDS100//V24.000/2/2///WW///B12

SUBMITTAL NO: 258375-B
CUSTOMER:

SUBMITTAL DATE: 6/24/2020